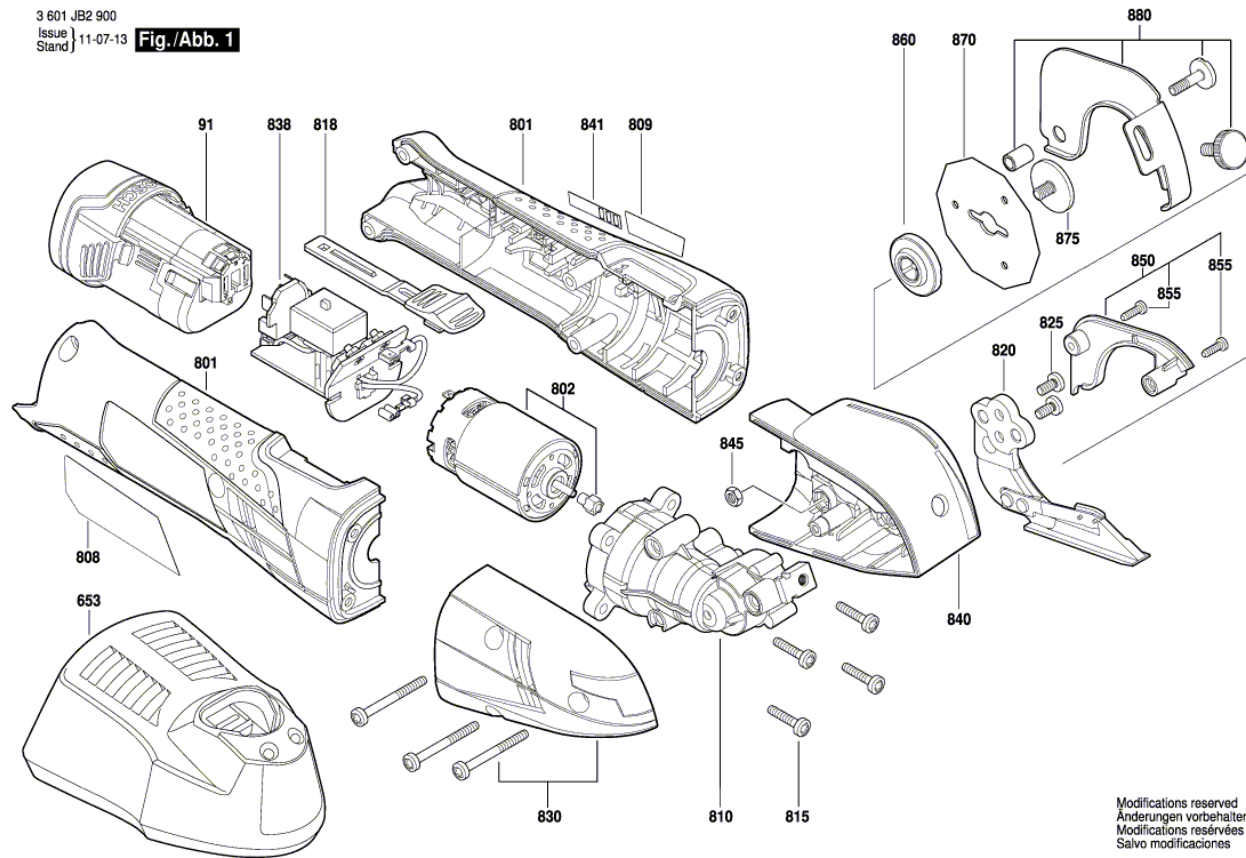


Illustration - Type - E

3 601 JB2 900
Issue | 11-07-13
Stand | **Fig./Abb. 1**



Spare parts list

Item	Part Number	Description	Illustration
91	1 607 A35 0C5	Battery Pack GBA 12V 2.0Ah Li SCM	1
653	2 607 225 135	Fast Charger UK AL1130CV 230V/12V/3A	1
653	2 607 226 101	Fast Charger EU GAL 1230 CV 230/12V	1
801	2 609 100 773	Housing	1
802	1 607 000 751	DC motor 10,8V	1
808	1 600 A00 W96	Nameplate	1
809	1 600 A00 W99	Manufacturer's nameplate GUS 12V-300	1
810	1 619 PA2 328	Gear Housing	1
815	1 619 PA2 329	Tapping Screw	1
818	2 609 100 650	Switch Slide	1
820	1 619 PA2 330	Lower Blade	1
825	1 619 PA2 331	Screw	1
830	1 619 PA2 332	Housing Section	1
838	1 607 233 528	Electronic Module	1
840	1 619 PA2 333	Housing Section	1
841	2 609 131 677	Label	1
845	1 619 PA2 334	Hex Nut	1
850	1 619 PA2 335	Cover	1
855	1 619 PA2 336	Screw	1
860	1 619 PA2 337	Driver Disc	1
870	1 619 PA2 338	Upper Blade	1
875	1 619 PA2 339	Lock Screw	1
880	1 619 PA2 340	Protective Cover	1